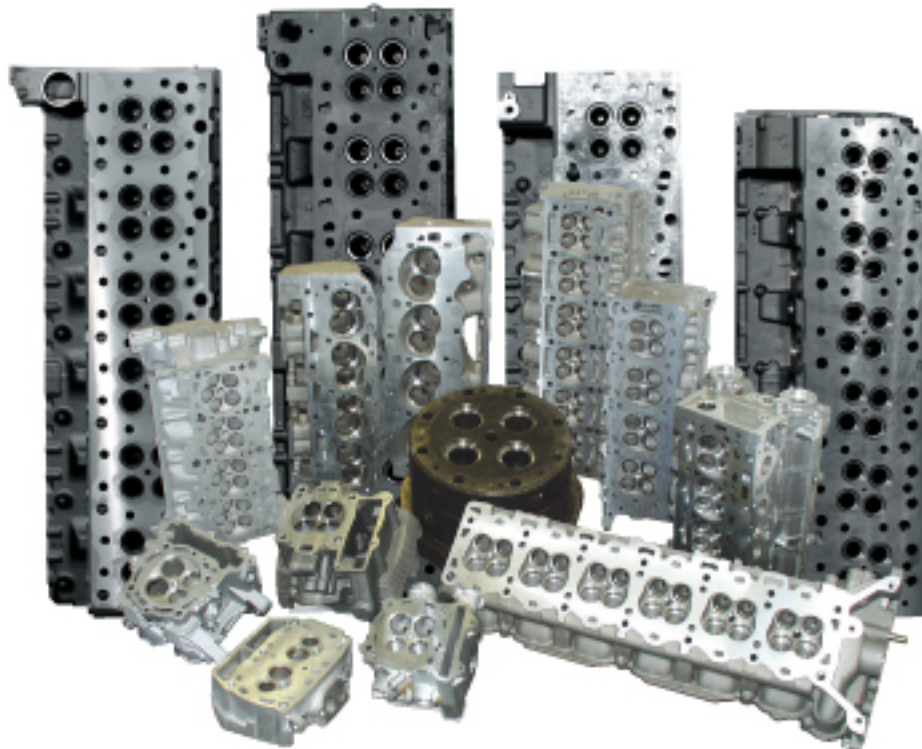


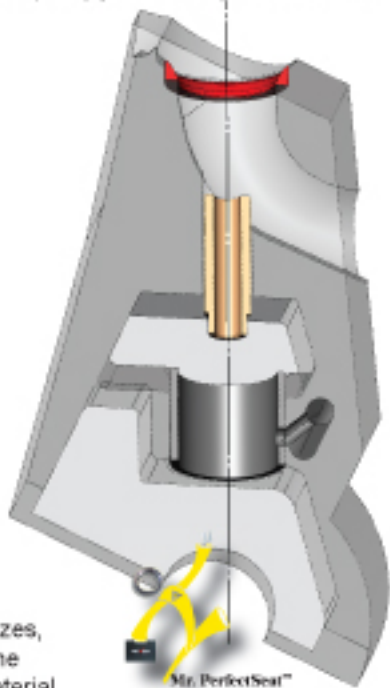
BEING A CYLINDER HEAD PROFESSIONAL

in 2007 and in the future...

THE CHALLENGE ...



... Being able to machine any cylinder head, to never refuse work. To be able to welcome the most intricate cylinder heads and perform the best quality job in a very short time...



... ream guides of all sizes, machine bores, machine any valve seat, any material, any profile while respecting the most stringent OEM specs and while generating income.

NEWEN FIXED-TURNING®,
the money maker of the year!
1-800-639-3693



Do not depend on a highly specialized workforce and take advantage of what CNC technology has to offer: reliability, flexibility, repeatability, quality, productivity, cost reductions, user friendliness, information HWY...

Use the know-how of others, strengthen your know-how and become number one in your field...

never be 2nd...!

www.newen.com

NEWEN®